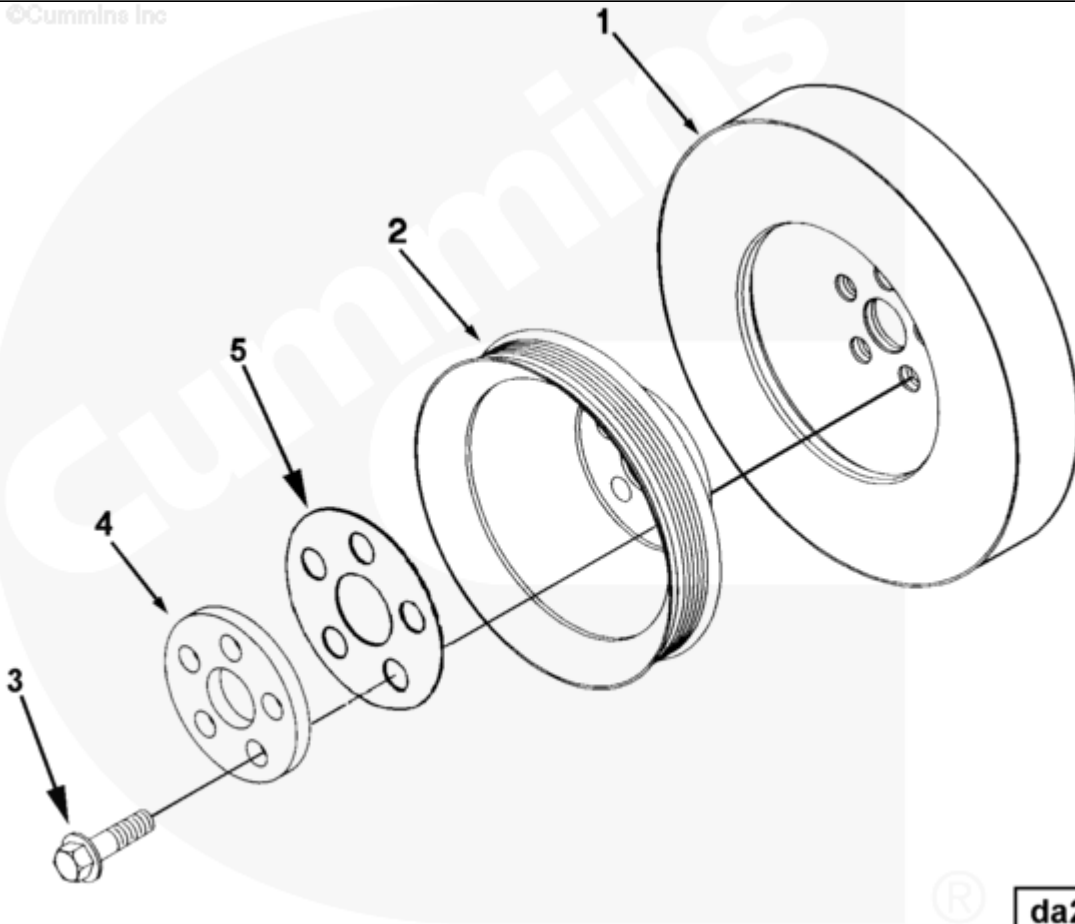




Parts Catalog - Option Detail

| Electronic Parts Catalog - Option Detail | | | | |
|------------------------------------------|----------------------------------------------------------------------------------------------------------------------------------------------------------------------|---------|-----------|-----------|
| Option | Group | Graphic | Film Card | Date |
| DA2070-03 | 01.02.2 | da202gy | II | 12-JAN-01 |
| Engines | ISM CM570, ISM CM570/870, ISM CM875, ISM CM876, ISM CM876 E, ISM11 CM876 M103, ISM11 CM876 SN, M11 CELECT, M11 CELECT PLUS, M11 MECHANICAL, QSM11 CM570, QSM11 CM876 | | | |

©Cummins Inc



[SMALL](#) | [MEDIUM](#) | [LARGE](#)

| Cart | Ref No | Part Number | Part Description | Required | Remarks |
|--------------|--------|---------------------------|------------------|----------|---------------------------|
| View My Cart | | | | | |
| | | DA2070-03 | Vibration Damper | | |
| | | | | | Vibration Damper |
| | | | | | Intended Drive: Fan Drive |
| | | | | | Only |

| | | | | | |
|--------------------------|---|-------------------------|-------------------------------|---|-------------------------------|
| | | | | | Crank Pulley Diameter: |
| | | | | | 190.70mm (7.51 in.) |
| | | | | | Crank Pulley Groove Location: |
| | | | | | 140.0mm (5.51 in.) |
| | | | | | Crank Pulley Groove Type: |
| | | | | | Poly V 8 Rib "K" |
| | | | | | Threaded Bolt Hole Mtg |
| | | | | | Provision: None |
| | | | | | |
| <input type="checkbox"/> | 1 | 3161942 | Viscous Vibration Damper | 1 | Recon equivalent 3161942 RX |
| <input type="checkbox"/> | 2 | 3073676 | Crankshaft Pulley | 1 | |
| <input type="checkbox"/> | 3 | 3896790 | Hexagon Flange Head Cap Screw | 5 | |
| <input type="checkbox"/> | 4 | 3896043 | Clamping Plate | 1 | |
| <input type="checkbox"/> | 5 | 3882675 | Clamping Plate | 1 | |

© 2019 Cummins Inc., Box 3005, Columbus, IN 47202-3005 U.S.A.
Terms of Use and Disclaimers | Recommended System Requirements
Need Assistance? Please click on the Contact Us button in the top right corner of any page.